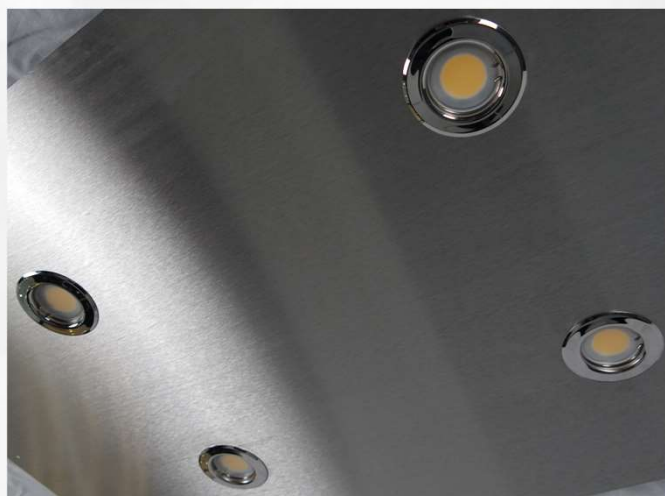


# TECHNICAL DATA SHEET

## KIT TRIAX COB



### General information

• Description	Kit Triax Chrome (4 or 6 spots)
• Technology	LED COB
• Body material: Ferrule	Shiny Steel (optional on demand color Black, White)
• Body material: Diffusor	Polycarbonate
• Environment	Indoor
• Typical application	Elevator / Commercial / Industrial
• Operating Temperature	-25° / +50°C
• Storage Temperature	-25° / +60°C
• Mounting	ceiling recessed
• IP Protection Rate	IP20

### Spot Light Electrical Specifications

• Power Consumption	4,2 W
• Input Voltage	220-240Vac
• Power Supply Unit	350mA dc – 12V dc min (precabled included)
• Dimmable Function	Optional on demand
• Emergency Version	Optional
• Replacing LED	NO
• Replacing Power Supply	YES

# TECHNICAL DATA SHEET

## KIT TRIAX COB

### Spot Light Lighting Specifications

• Luminous flux	350 lm
• Luminous efficiency	90 lm/W
• Color of the light	Neutral White
• CCT	NW 4000 °K
• Color Render Index (CRI)	≥ 75
• Spot Beam Angle	100°

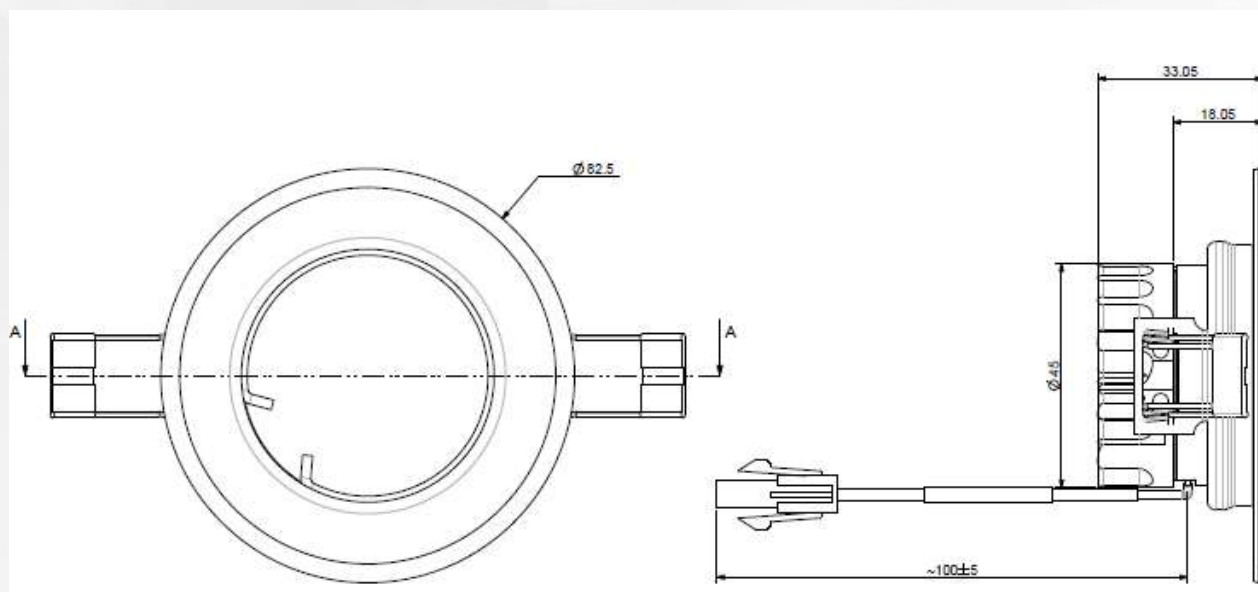
### Life Span


• Light Source Life	50.000 h
• Driver Life Time	50.000 h
• Appliance Life Time	50.000 h

#### Notes:

- The values indicated are referred to Ta=25°C;
- +/-10% deviation for lighting and electricity parameter can be accepted

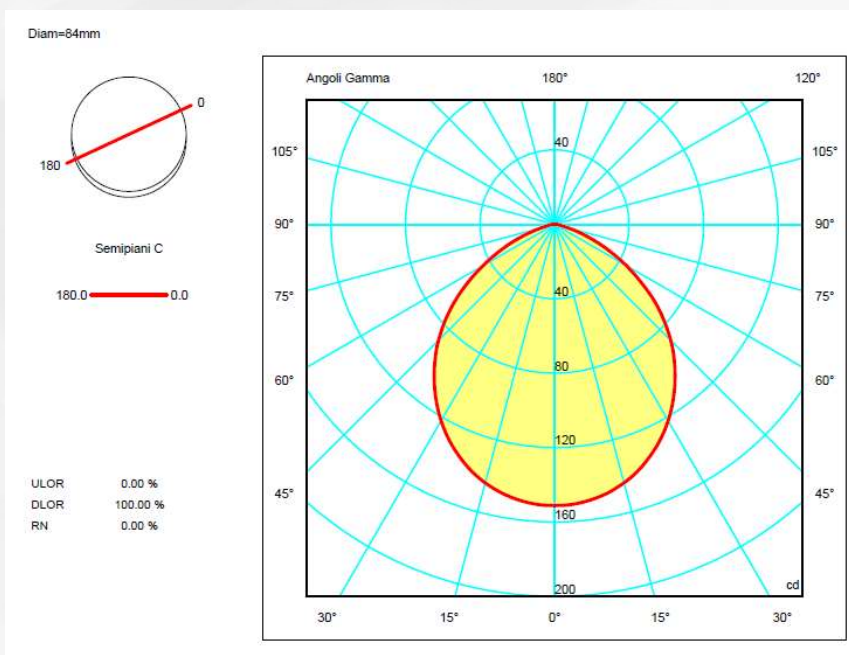
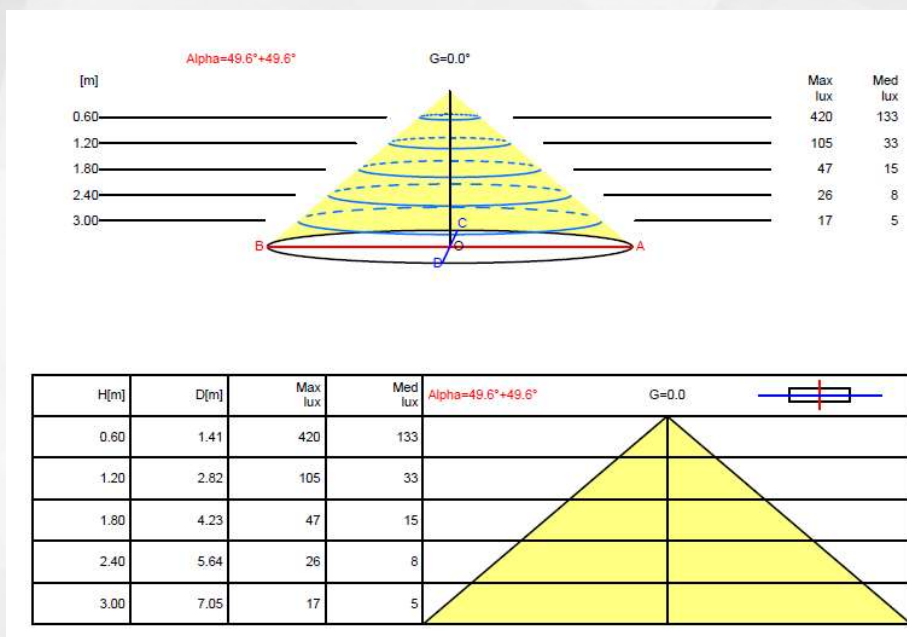
### Dimensions



Ø 60mm 

# TECHNICAL DATA SHEET KIT TRIAX COB

## Spot Light Photometric Diagram

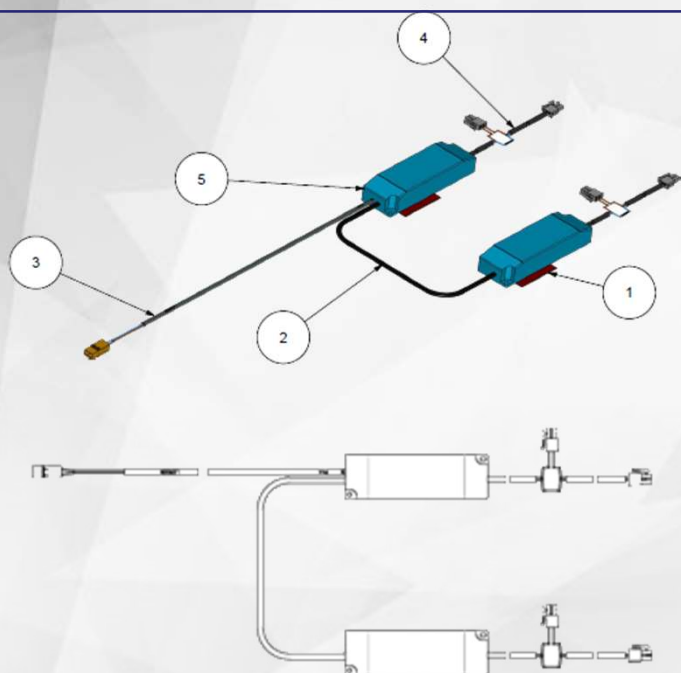


# TECHNICAL DATA SHEET

## KIT TRIAX COB

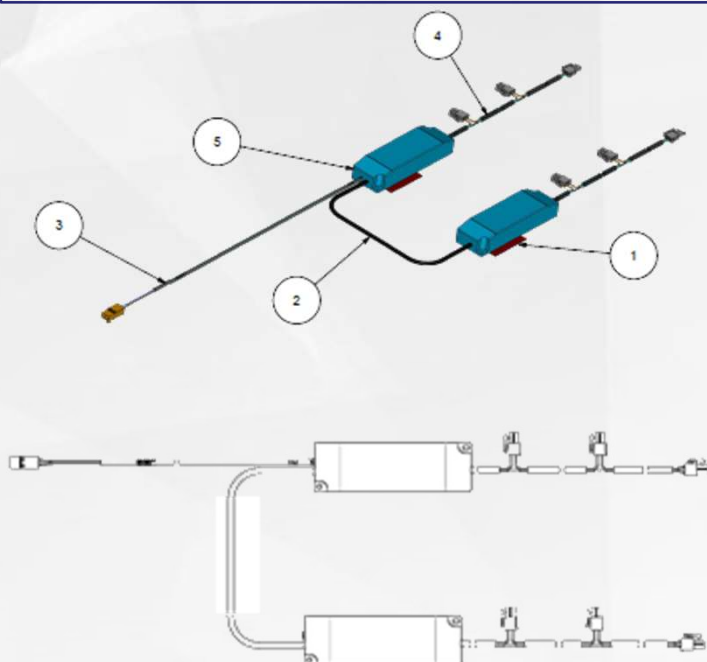
### Connection Diagrams

#### KIT 4 SPOT TRIAX COB



REF	Q.TY	DESCRIPTION
1	2	Double adhesive 3M
2	1	Cable for interconnection PWS L=300mm
3	1	Cable for main to power supply L=2500mm
4	2	Cable Chain between each Spot L=700mm
5	2	Power Supply

#### KIT 6 SPOT TRIAX COB



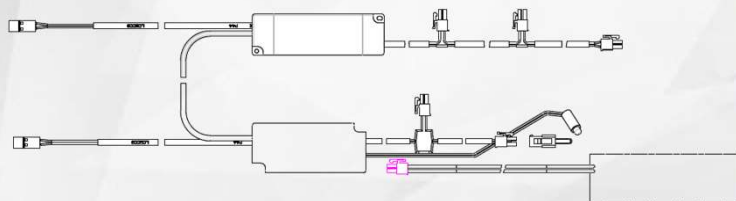
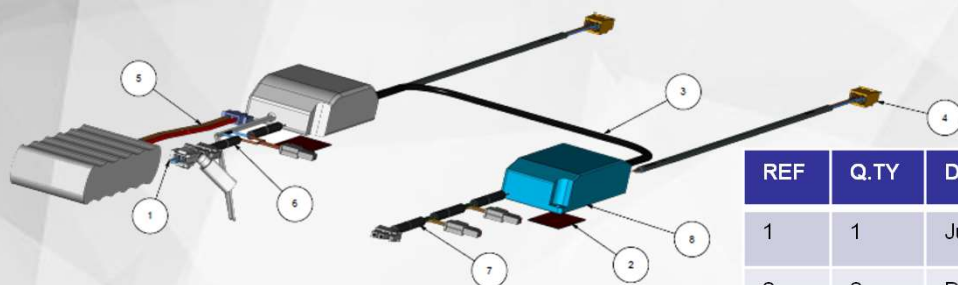
REF	Q.TY	DESCRIPTION
1	2	Double adhesive 3M
2	1	Cable for interconnection PWS L=300mm
3	1	Cable for main to power supply L=2500mm
4	2	Cable Chain between each Spot L=700mm
5	2	Power Supply

# TECHNICAL DATA SHEET

## KIT TRIAX COB

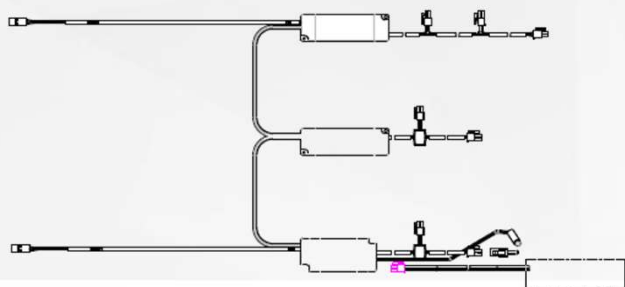
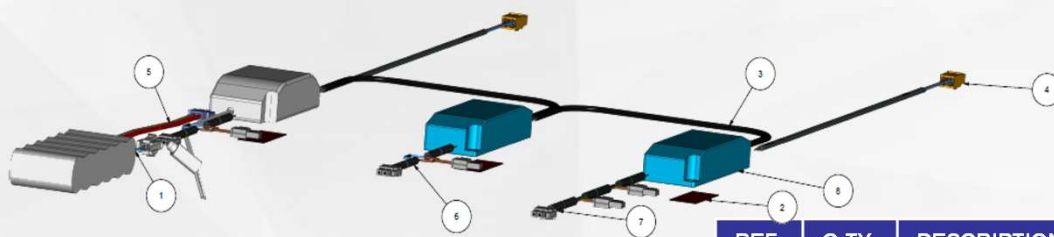
### Connection Diagrams Emergency Version

#### KIT 4 SPOT TRIAX COB with Emergency



REF	Q.TY	DESCRIPTION
1	1	Jumper for led spotlight transformers
2	2	Double adhesive 3M
3	1	Cable for interconnection PWS L=300mm
4	2	Cable for main to power supply L=2500mm
5	1	Emergency Kit
6	1	Cable Chain between each Spot L=700mm
7	1	Cable Chain between each Spot L=700mm
8	1	Power Supply

#### KIT 6 SPOT TRIAX COB with Emergency



REF	Q.TY	DESCRIPTION
1	1	Jumper for led spotlight transformers
2	3	Double adhesive 3M
3	2	Cable for interconnection PWS L=300mm
4	2	Cable for main to power supply L=2500mm
5	1	Emergency Kit
6	2	Cable Chain between each Spot L=700mm
7	1	Cable Chain between each Spot L=700mm
8	2	Power Supply



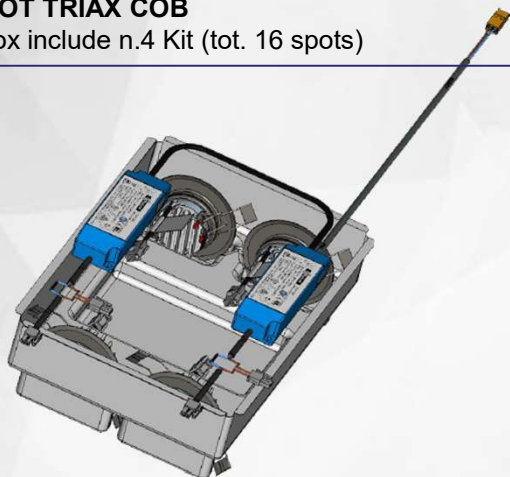
# TECHNICAL DATA SHEET

## KIT TRIAX COB

### Packing Information

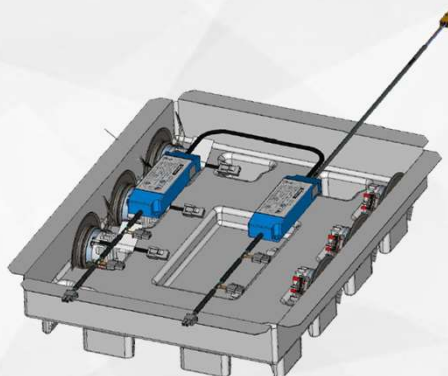
#### KIT 4 SPOT TRIAX COB

Carton box include n.4 Kit (tot. 16 spots)



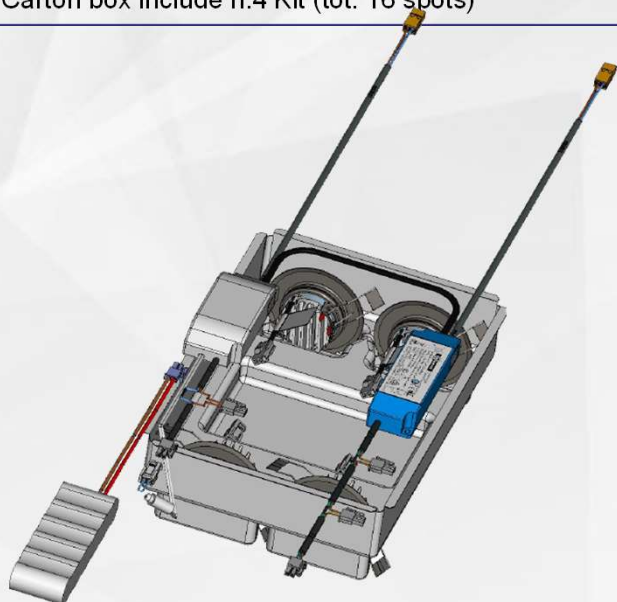
#### KIT 6 SPOT TRIAX COB

Carton box include n.2 Kit (tot. 12 spots)



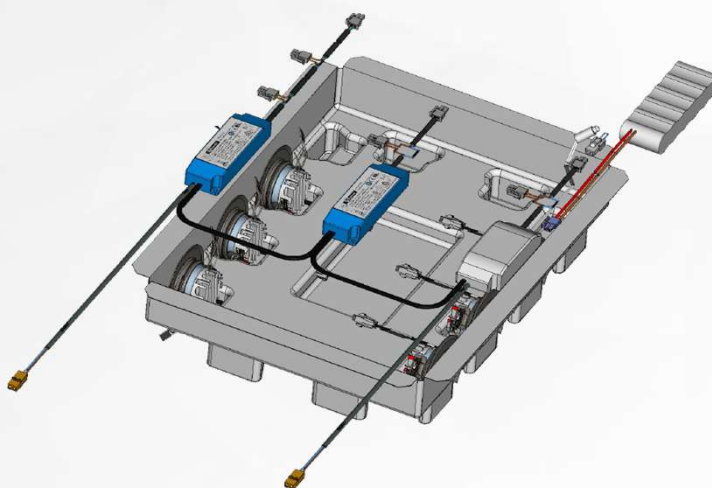
#### KIT 4 SPOT TRIAX COB with Emergency

Carton box include n.4 Kit (tot. 16 spots)



#### KIT 6 SPOT TRIAX COB with Emergency

Carton box include n.2 Kit (tot. 12 spots)



ORDER CODE	DESCRIPTION
EDB2261E02	KIT 4 TRIAX COB CHROME STD.
EDB2262E02	KIT 6 TRIAX COB CHROME STD.
EDB2263E02	KIT 4 TRIAX COB CHROME WITH EMERG.
EDB2264E02	KIT 6 TRIAX COB CHROME WITH EMERG.