

TECHNICAL DATA SHEET

LED FLOOD LIGHT



General information

• P/N	LFLOOD30NW
• Model	FLOOD LIGHT
• Technology	LED
• Body material	Polyamide (PA)
• IP Protection Rate	IP65
• Weight	420 g
• Operating Temperature	-20 ~ +45°C
• Storage Temperature	-20 ~ +40°C
• Mounting	Wall Mounting
• Typical application	Industrial facilities, Warehouse Shaft Light, Shopping Mall
• Weight	1,3 Kg

Electrical Specifications

• Power Consumption	30W
• Input Voltage	230Vac 50-60Hz
• Power Factor	>0,95
• Insulation Class	II
• Average Lifespan	35.000 h

TECHNICAL DATA SHEET

LED FLOOD LIGHT

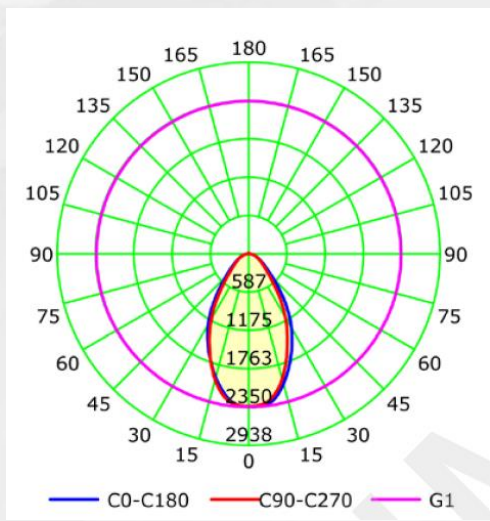
Lighting Specifications

• Luminous flux	2800 lm
• Luminous efficiency	93 lm/W
• Color of the light	Neutral White - 4000K+/-300
• Color Render Index CRI (Ra)	≥ 70
• Beam Angle	120°
• Replacing LED	NO
• Light Risk Group	RG0 (Exempt Group)

Notes:

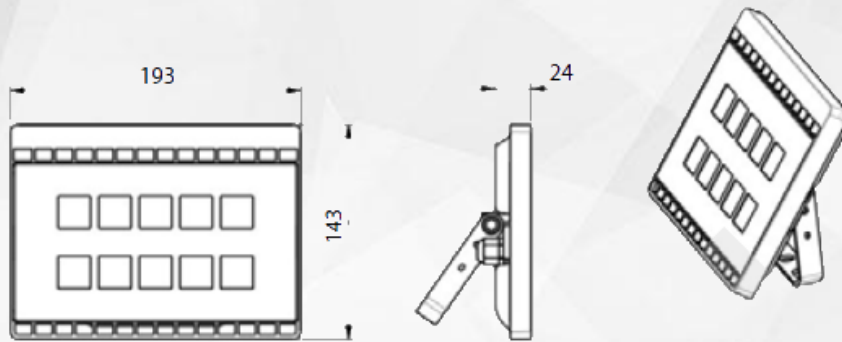
- ❑ The values indicated are referred to Ta=25°C;
- ❑ +/-10% deviation for lighting and electricity parameter can be accepted

Photometric Diagram

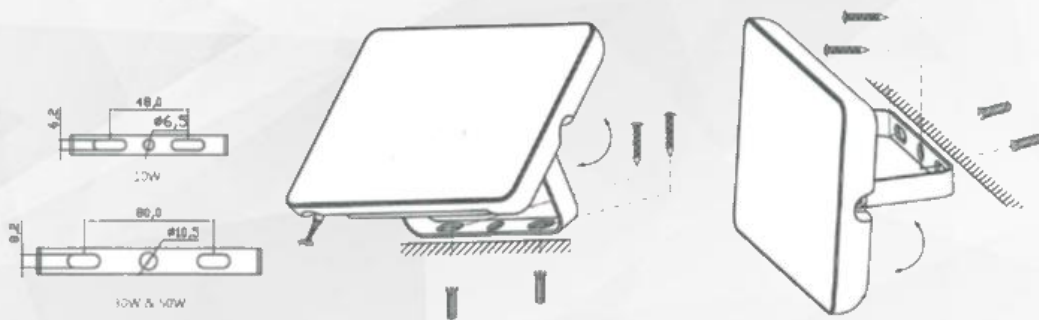


TECHNICAL DATA SHEET LED FLOOD LIGHT

Dimensional Diagram



Connection & Installation Instructions



Nylon and anchor screws not included

