

# TECHNICAL DATA SHEET

## HIGH POWER 150W



### General information

• P/N	LHBAY-150W-120NW
• Model	High Power 150 W
• Technology	LED
• Body material	Aluminium
• Environment	indoor lighting
• Typical application	Industrial
• Operating Temperature	- 20° +50 °
• Mounting	suspended / bracket
• IP Protection Rate	IP65
• Weight	9,20 Kg

### Lighting Specifications

• Luminous flux	19350 lm
• Luminous efficiency	130 lm/W ± 10%
• Color temperature	NW 4000 ± 250 K
• Color Render index	≥ 80
• Beam Angle	120°( 60° 90° Optional)

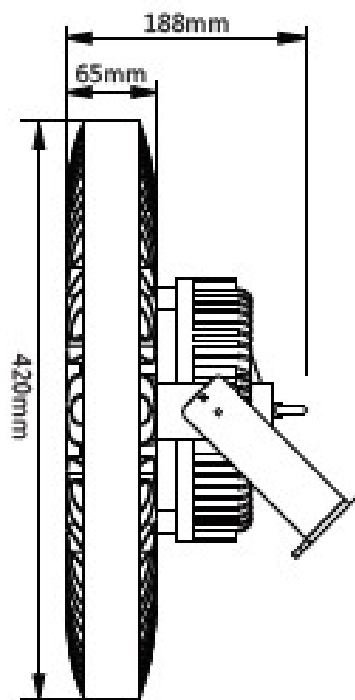
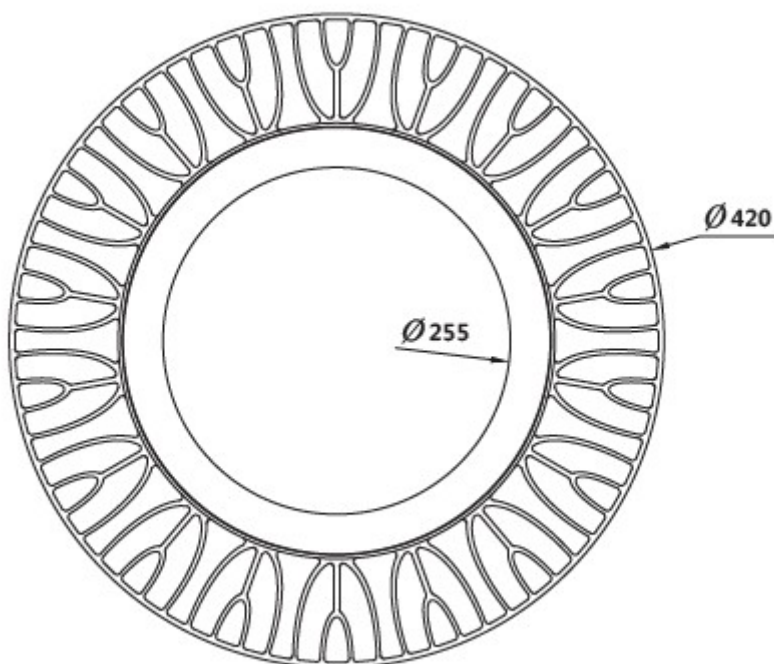
### Electrical Specifications

• Power consumption	150 W
• Input Voltage	90-305 VAC (Meanwell HBG series)
• Dimmable function	Built-in 3 in 1 dimming function (1~10VDC, PWM signal, or resistance)
• Replacing LED	NO
• Replacing Power Supply	YES

### Lifespan:

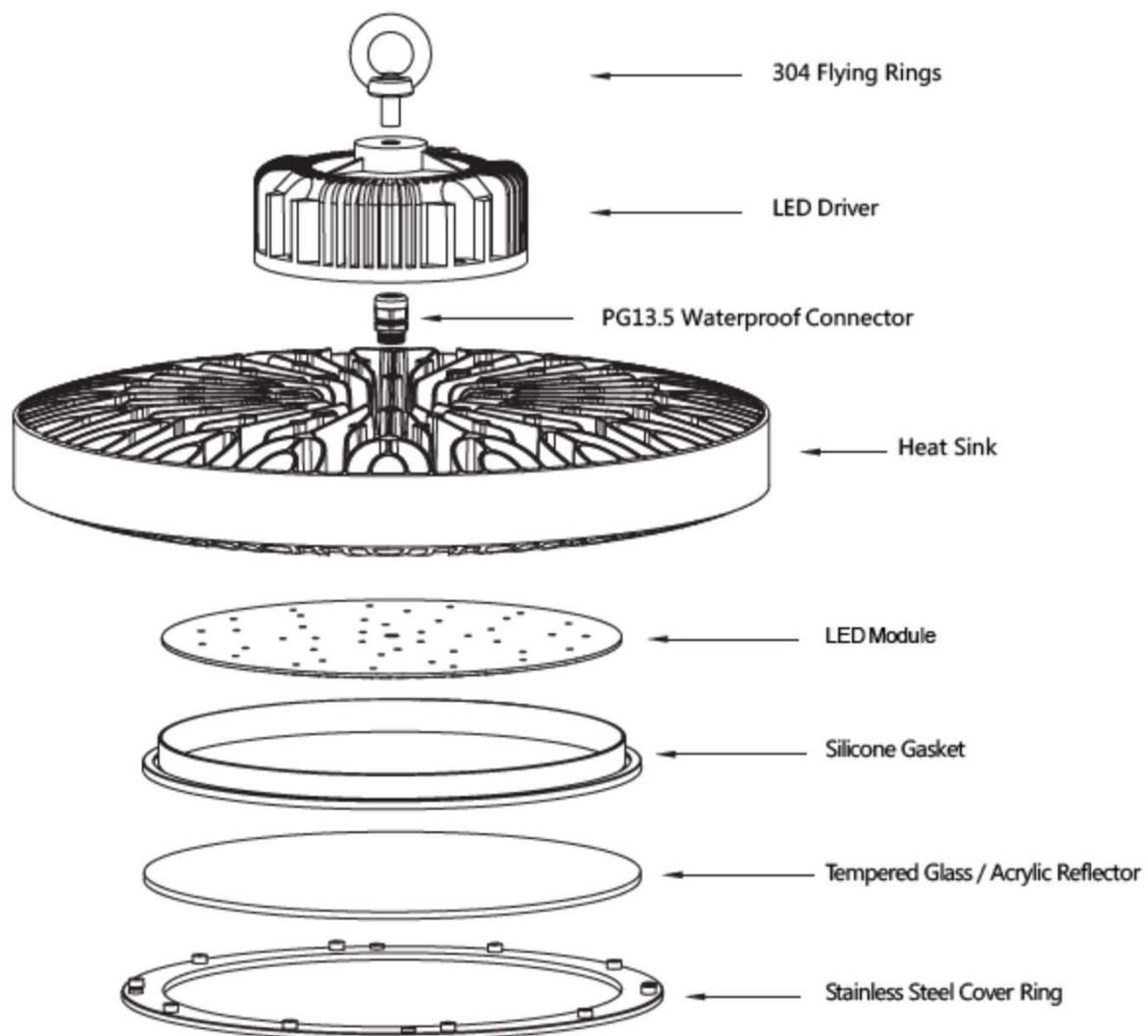
• Light source life	50000 h
• Driver life time (h)	50000 h
• Appliance life time (h)	50000 h (L70)

### Dimensions:



# TECHNICAL DATA SHEET HIGH POWER 150W

## Exploded View:



## Optionals: support aluminium reflector

### Support

Angle adjustable support(22.5°/45°)  
Can be ceiling mounted rod installation & chain suspension.



### Aluminum Reflector

( 60° 90° Optional )



### Aluminum Reflector (60°)



### Aluminum Reflector (90°)



### Iron Chain



### Steel hanging rod



### HGB Series



## Packaging

